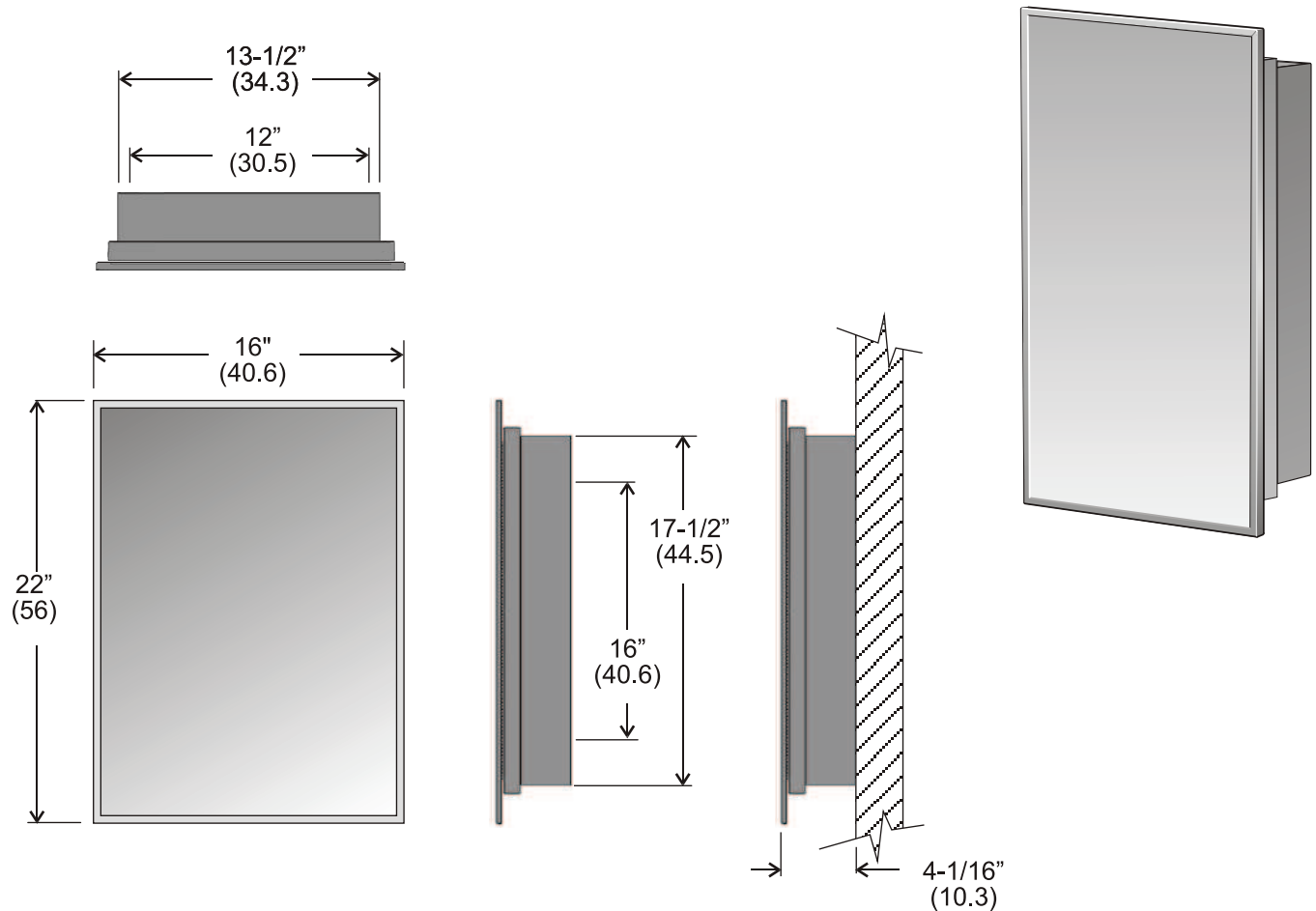




## Medicine Cabinet, Surface Mounted

**Code 812:** Medicine cabinet with mirror, white finish, surface mounted, 16" x 22".

Overall dimensions in inches, cm in brackets.



Front view / Top View

Side View

Mounted View

3/4 View

### Specifications

**Features:**

- The code 802 medicine cabinet is a durable economical all steel unit suitable for any location.
- All welded steel construction, 22 ga. In powder coat white finish.
- 2 adjustable glass shelves.
- Cabinet can be inverted depending on preferred door swing.
- Magnetic retaining catch on door.

**Door**

- One piece 26 ga. stainless steel channel frame in bright annealed finish.
- Mirror door has painted steel back.
- Full length piano hinge on door.

**Installation:**

Mounting hole centres are located at 12" (30.5) x 16" (40.6)