

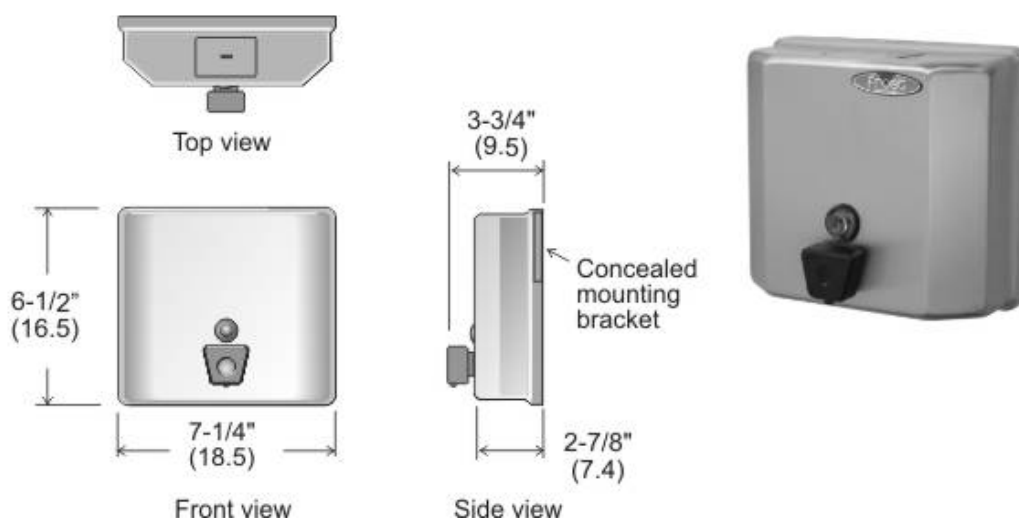


- Quality
- Value
- Service

**Tech
Reference**

Profile Soap Dispenser

Code 711: Soap dispenser, all purpose valve, stainless steel



Specifications:

Site Location: Clean low profile configuration allows for flexible integration with many custom design layouts.

Features: Easy refill at top. Keyed lock filler cap. All mounting screws concealed. Drawn and welded construction of 20 ga. stainless steel. Lucite soap level indicator window.

Soap types: Dispenses liquid soap at 10-20% solution as well as more viscous synthetic detergents, lotions and antiseptic soaps. We do not recommend any soap types that have an ammonium based surfactant, ie. Ammonium Lauryl Sulfate.

Capacity: 55 oz. capacity, (1.5 litre).

Installation: Secure mounting plate to wall through holes with three mounting screws provided. Slip dispenser over mounting plate and secure with single screw through filler cap at top.

Description and specifications applicable on date issued. Frost reserves the right to make improvements or changes without notice.