



- Quality
- Value
- Service

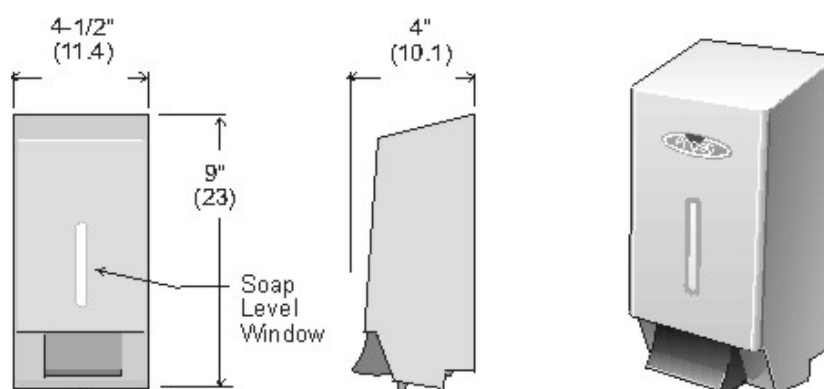
**Tech  
Reference**

---

## All Plastic Soap Dispenser

**Code 707:** Lotion soap dispenser

[Download PDF](#)



### Specifications:

---

#### Site Location:

All purpose push type dispensing valve is suitable for easy flowing liquid or lotion soaps.

#### Features:

Quality ABS finish.

Removable inner soap reservoir for easy cleaning and maintenance.

Lockable front cover.

Attractive blue and white colour scheme.

Completely concealed wall mounting (no visible mounting screws).

**Capacity:** 1 litre (35 oz.).

#### Installation:

Secure unit to wall, screws, plugs and template provided. Alternately use adhesive pads on smooth dry surfaces.

---

Description and specifications applicable on date issued. Frost reserves the right to make improvements or changes without notice.