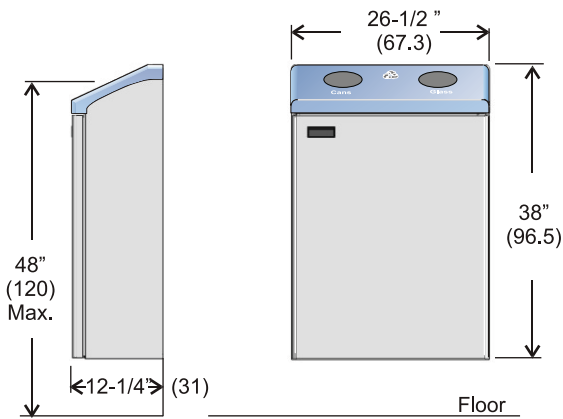




## Recycling Station

- Code 315:** **Modular Recycling Station, wall mounted**, outdoor rated blue and grey finish. Includes two roto-moulded plastic liners and category labels in French and English.
- Code 315-500:** Additional plastic liner.
- Code 315-501:** English and French label pack.
- Code 316:** **Recycling Station**, floor mount, 3 stream, indoor/outdoor powder coated finish.
- Code 316-S:** **Recycling Station**, floor mount, 3 stream, stainless steel.
- Code 316-505H:** **Modular Hood**, indoor/outdoor blue polyester finish, .
- Code 316-505HS:** **Modular Hood**, stainless steel, 18 ga.

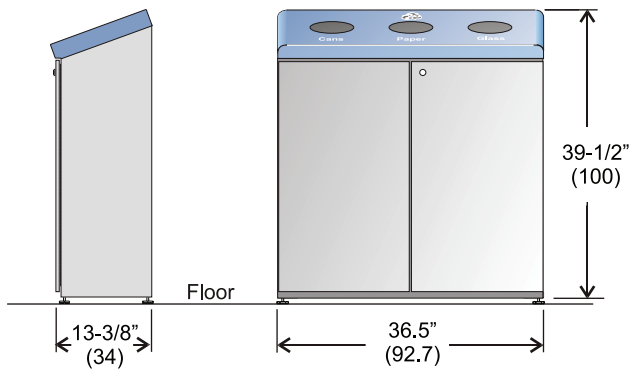


Code 315 wall mounted units can be placed side by side as require



Code 315  
Wall Mounted Unit

Code 316  
Floor mounted



Code 316S  
Floor mounted



Code 316S with Hood

## Specifications

- Site location:** • The Code 315 wall mounted fixed design eliminates the possibility of blocking exits in the event of an emergency. Code 316 allows for flexible mounting locations in areas requiring three streams.
- Features:** • Anchors are included to secure the Code 316 in both indoor and outdoor installations. Adjustable feet on code 316 allow for easy leveling. Flexible labeling kit accommodates specific separation requirements. Ergonomic front loading door reduces risk of back injury. Inclined top discourages use as a table or chair. All exterior components are fabricated metal for maximum fire protection. Leak proof roto moulded polyethylene liners. Optional metal liners available on special order (Code 315-500G). Full length piano hinge on doors. Magnetic latch on 315 door, keyed tumbler lock on Code 316.
- Labels Included:** • Comes with Glass, Plastic, Cans, Trash, Cans/Plastic, Glass/Plastic, White Paper Only, Glass/Cans/Plastic, Paper, Trash/Organic and Organic labels in both English and French. Assists commercial and institutional organizations with source separation programs.
- Capacity:** • Each liner has a 67 litre capacity,  
Code 315: 134 litres in total (29 imp. gal. In total).  
Code 316: 201 litres in total (44 imp. gal. In total).
- LEED:** • LEED checklist credit statement available at [www.FrostPL.com](http://www.FrostPL.com).
- Shipping Weight:** Code 315: 50 lbs. (23 kg.), Code 316: 75 lbs (35 kg.).

