

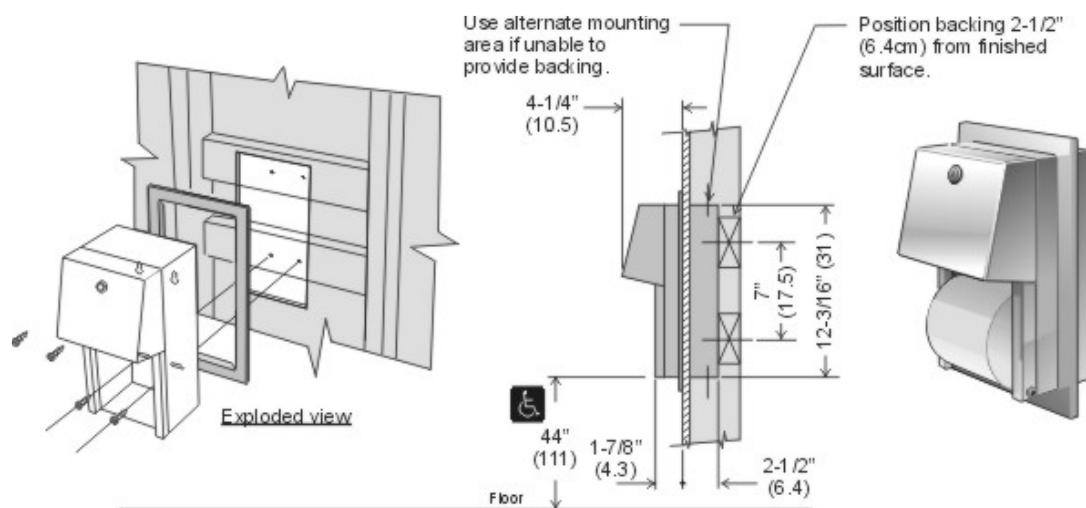


- Quality
- Value
- Service

**Tech
Reference**

Multi-Roll Toilet Tissue Dispenser, Reserve Roll

Code 165R: 304 Stainless Steel, No. 4 finish, recessed



Specifications:

Site Location: Ideal for areas requiring a heavy duty efficient dispenser. The code 165 reserve a roll dispenser will only dispense its reserve second roll after the first roll is empty.

Dispensing: Dispenses all standard toilet tissue rolls. Capacity of two rolls per unit.

Features: Comes with keyed tumbler lock to reduce pilferage and vandalism. Front loading for easy service and maintenance. Rollers are non removable without keyed access. All stainless steel unit, welded construction of both 18 and 20 gauge SS.

Recessed frame: All stainless 22 gauge type 304 number 4 finish.

Shipping Weight: 4 kg. (10 lbs.)

Installation: For unrestricted access, bottom of rough opening to floor should not exceed 44" (111.7). Provide rough opening 12-3/8" high x 6-3/8" wide x 3-3/4" deep. Attach backing to vertical members to depth shown above, slip toilet tissue unit through rough opening and secure to backing with mounting screws provided.

Description and specifications applicable on date issued. Frost reserves the right to make improvements or changes without notice.