



- Quality
- Value
- Service

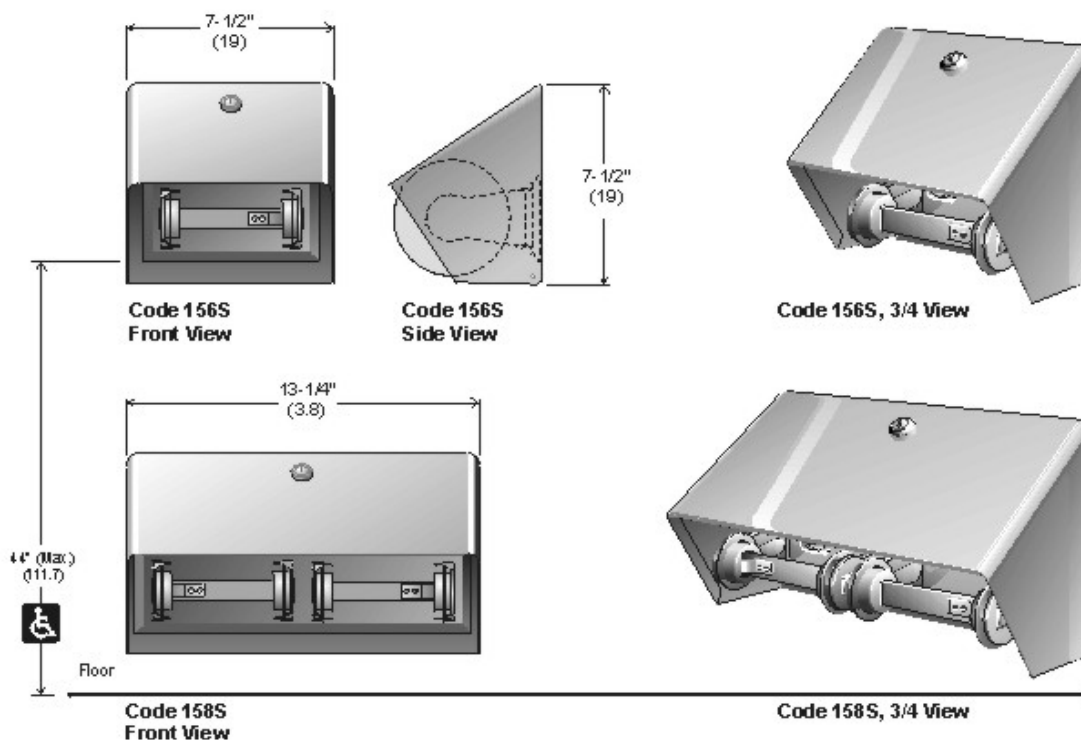
**Tech
Reference**

Roll Toilet Tissue Dispensers With Hood

Code 156S: Single roll unit, stainless steel type 304 no. 4 finish

Code 158S: Double roll unit, stainless steel type 304 no. 4 finish

[Download PDF](#)



Specifications:

Site Location: The hooded tissue dispensers offer an attractive means of preventing product pilferage and restricting paper consumption.

Features: Roll tissue dispensers are standard Frost codes 146 (single) and 150 (double). Sloped hood has tumbler keyed lock to prevent pilferage and vandalism. Front loading for easy service and maintenance. All welded construction of 22 ga. stainless steel. Pivoting front hinged on hardened steel rivets.

Shipping Weight: **Code 156S:** .9 kg (2 lb.), **Code 158S:** 1.3 kg (3 lbs.)

Installation: For unrestricted access, bottom of dispenser to floor should not exceed 44" (111.7). Mounting screws provided.

Description and specifications applicable on date issued. Frost reserves the right to make improvements or changes without notice.