



- Quality
- Value
- Service

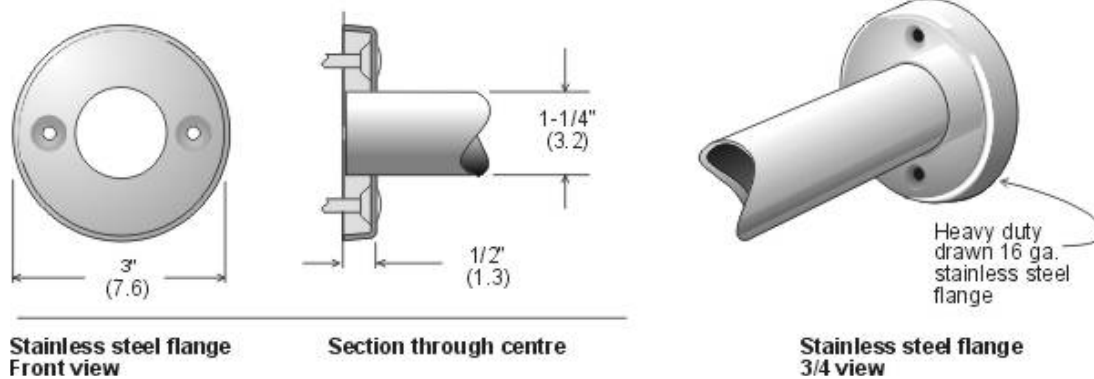
**Tech  
Reference**

---

## Stainless Steel Shower Rods

Code 1145-S: Stainless Shower rod 5' x 1-1/4" dia.  
 Code 1145-72SS: Stainless Shower rod 72" x 1-1/4" dia.  
 Code 1145-36SS: Stainless Shower rod 36" x 1-1/4" dia.

[Download  
PDF](#)



### Specifications:

**Materials:** Shower rods are type 304 stainless steel with number 4 brushed finish. Flanges are drawn stainless steel type 304 number 4 brushed finish, 16 gauge.

**Installation:** Stainless steel csk. mounting screws provided.

---

Description and specifications applicable on date issued. Frost reserves the right to make improvements or changes without notice.