

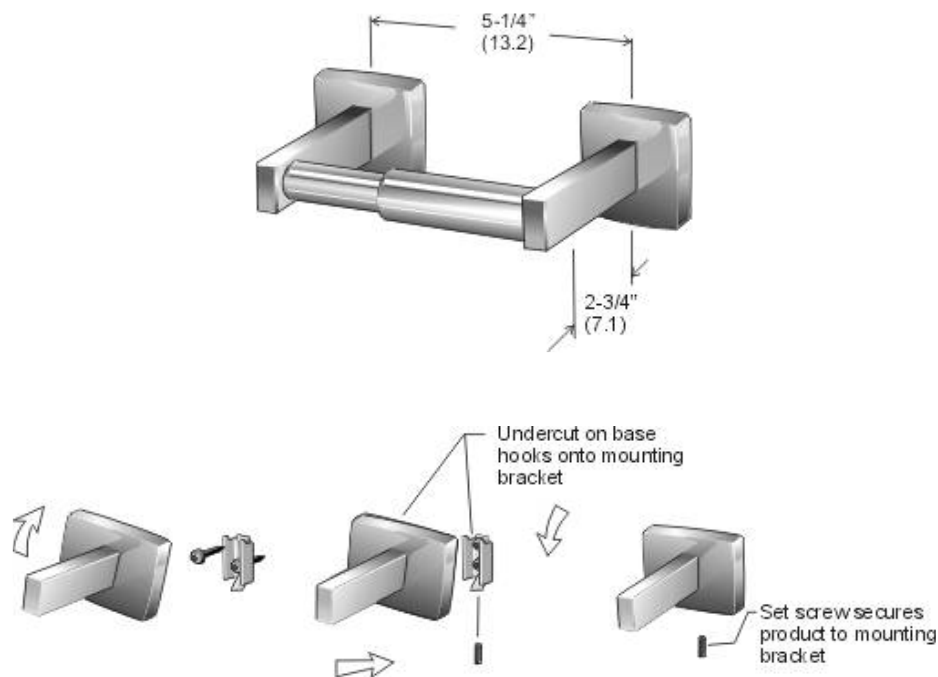


- Quality
- Value
- Service

**Tech
Reference**

Surface Toilet Paper Holder

Code 1135S: Stainless Steel



Mounting of Product: Screw concealed mounting system: The mounting bracket is attached to the wall with screws at the desired height. The unit is then hooked onto the bracket. When the set screw is tightened the product is firmly secured to the wall. The set screw applies pressure to an inclined surface on the bracket this provides a rattle free and integral mounting of the product. (mounting bracket and screws provided).

Specifications:

Material: Type 304 stainless steel no. 4 finish.

Features: Concealed mounting. Will take jumbo rolls 5" (12.6 cm) in dia..

Description and specifications applicable on date issued. Frost reserves the right to make improvements or changes without notice.