



- Quality
- Value
- Service

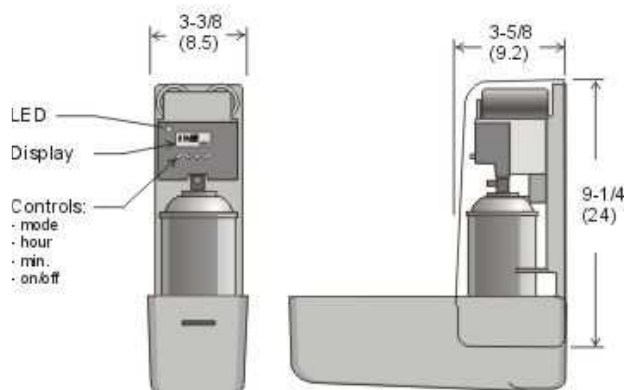
**Tech  
Reference**

---

## Aerosol Dispenser and canisters

- Code 1107:** Programmable Aerosol Dispenser.  
**Code 1107-500CIT:** Aerosol spray canister, Citrus scent, (7 ounces, 199 grams).  
**Code 1107-500VAN:** Aerosol spray canister, Vanilla scent, (7 ounces, 199 grams).  
**Code 1107-500ORCH:** Aerosol spray canister, Orchard scent, (7 ounces, 199 grams).  
**Code 1107-500MM:** Aerosol spray canister, Mango scent, (7 ounces, 199 grams).

[PDF Flier](#)



## Specifications:

**Site Location:** Clean low maintenance design will suit most office and retail installations.

**Features:** Built in LCD clock displays time for easy programming of starting and stopping spray intervals. Set spray start and spray stop to suit your office hours. Spray intervals can range from 1 minute to 60 minutes. Built in counter will display number of sprays.

**Battery Details:** Maintenance: green LED indicates functioning/spraying. Red LED indicates low batteries should be replaced.

**Service life:** 10,000 sprays or 1 year, (2 "D" sized heavy duty alkaline batteries,)

**Code 1107-500:** Dry formula aerosol eliminates messy fall-out. V.O.C. Compliant. Eliminates smoke and other malodors (Net wt.: 6.6 oz, 187 g).

**Installation:** Prior to mounting using self adhesive: clean surface, mark clearly with removable marker or masking tape the exact location and plumb line for unit. The tape does not allow for repositioning if unit is mounted crooked or askew. Allow tape to set ten hours prior to filling and loading batteries. Mounting holes and screws also provided.

---

Description and specifications applicable on date issued. Frost reserves the right to make improvements or changes without notice.