



- Quality
- Value
- Service

**Tech  
Reference**

---

## Universal Towel Dispenser

**Code 101:** White epoxy powder finish

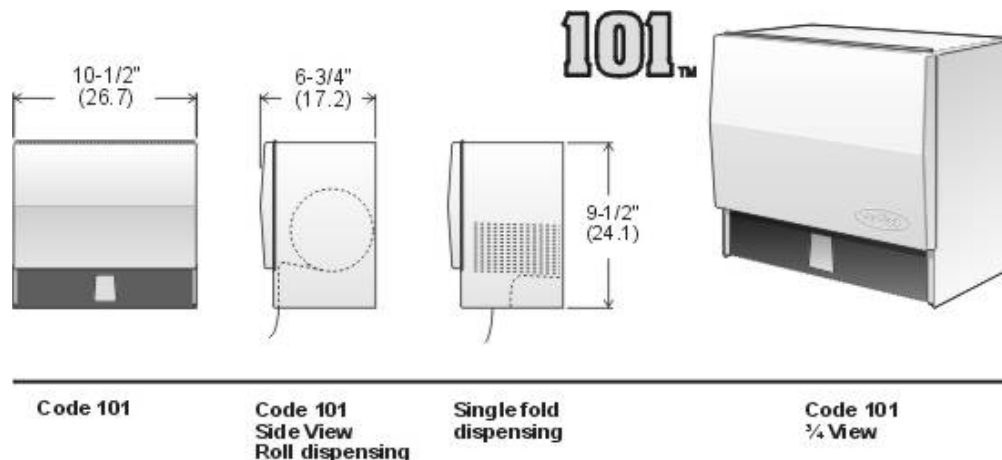
**Code 101-1:** White epoxy powder finish with lock

**Code 102:** Polished chrome finish

**Code 102-1:** Polished chrome finish with lock

**Code 103:** Stainless steel type 304 No. 4 brushed finish

**Code 103-1:** Stainless steel type 304 No. 4 brushed finish with lock



### Specifications:

**Site Location:** The 101 series of dispensers are an industry standard and can be used in any room or site location.

**Dispensing:** Universal towel dispenser will accept all standard single fold and roll towels (max. 6" diameter and up to 10" long). Available with keyed tumbler lock to reduce pilferage and vandalism.

**Features:** Front loading for easy service and maintenance. All welded construction of 20 and 22 gauge steel. Full length piano hinge on door.

**SS features:** Drawn stainless steel door. All welded stainless steel (304, No. 4 brushed) construction. All doors are hinged with full length stainless steel piano hinges. Product shipped with protective plastic coating to be removed after installation.

**Shipping Weight:** 2.5 kg. (5-1/2 lbs.)

**Installation:** For unrestricted access, bottom of unit to floor must not exceed 44" (111.7).

---

Description and specifications applicable on date issued. Frost reserves the right to make improvements or changes without notice.